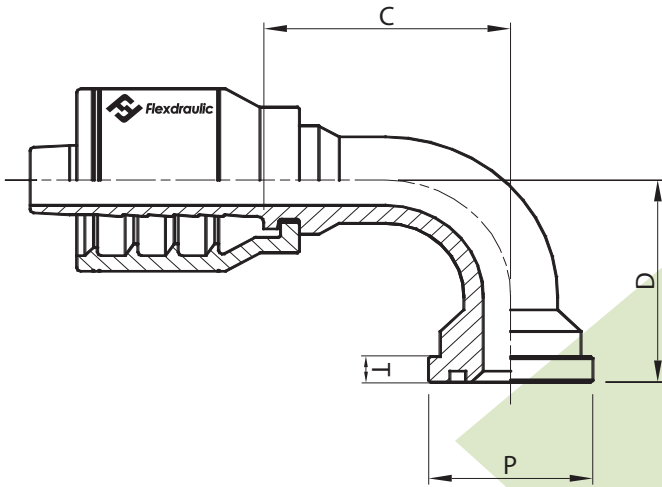


JIS

Komatsu Style Flange - 90° Elbow



! O-Ring Available Separately
 • (See O-ring table on this page)

Part #	Hose I.D.		JIS Flange	Cutoff (C)	Drop (D)	P	T
	Inch	Size	Size	Inch	Inch	Inch	Inch
A10-G99	5/8"	-10	5/8"	2.38"	2.17"	1.35"	0.265"



O-Rings For Code 61 Flanges For JIS Flange Size		Part #
5/8"		3605142

One Piece Bite The Wire